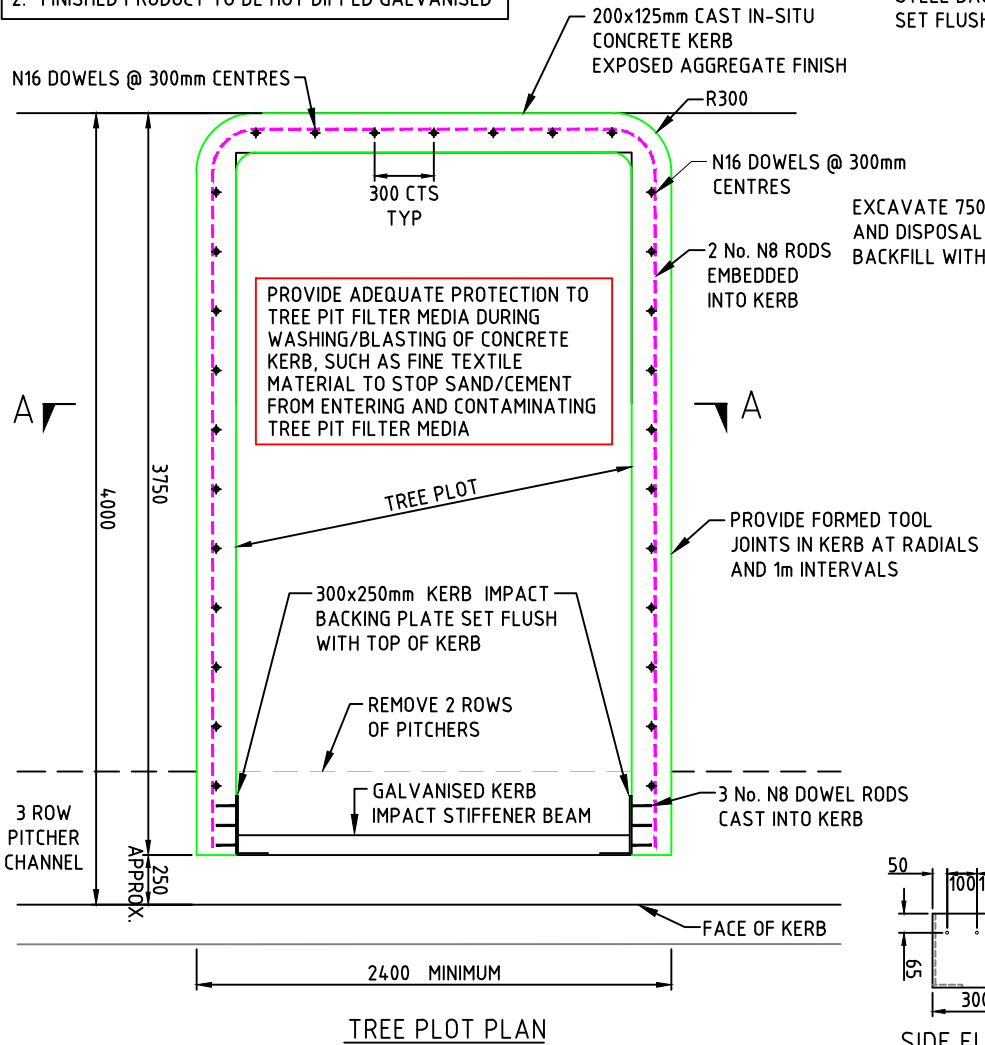
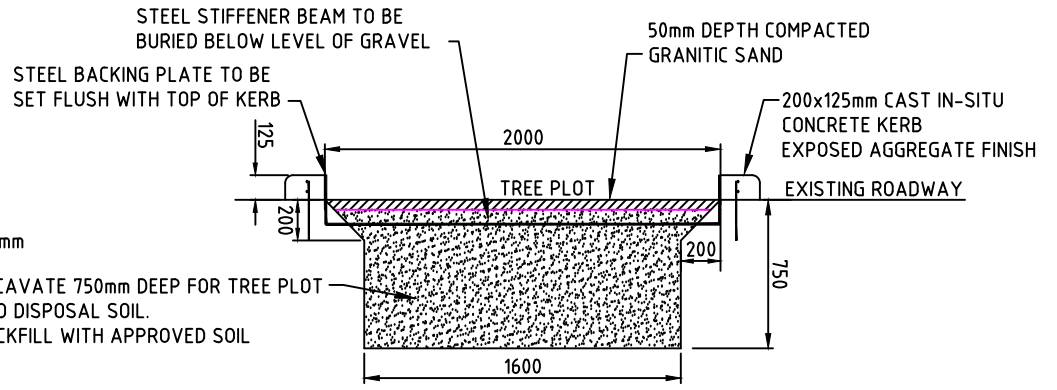


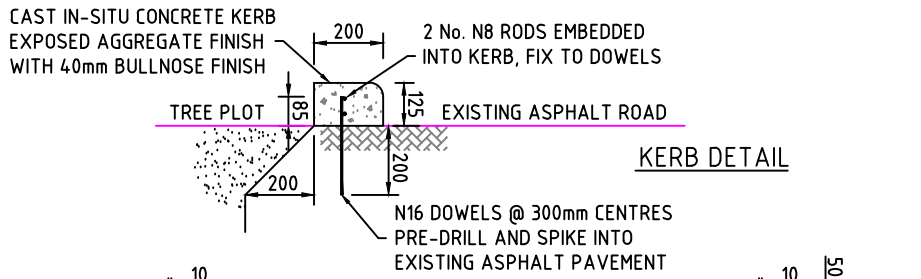
NOTE:
 1. ALL WELDS TO BE 6mm CONTINUOUS FILLET WELDS
 2. FINISHED PRODUCT TO BE HOT DIPPED GALVANISED



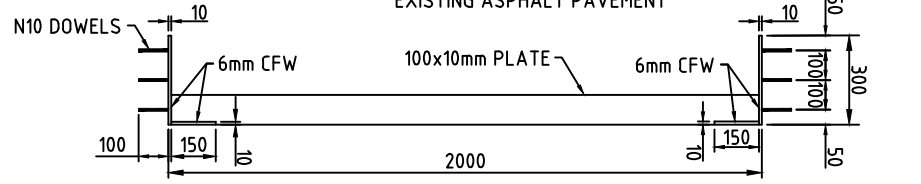
TREE PLOT PLAN



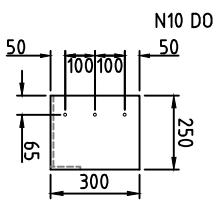
SECTION A



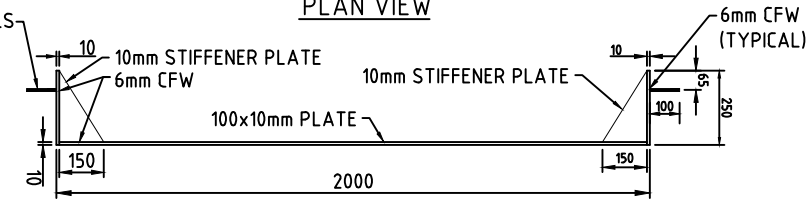
KERB DETAIL



PLAN VIEW



SIDE ELEVATION



FRONT ELEVATION

KERB IMPACT STIFFENING BEAM DETAIL

NOT TO SCALE



Rev.	Revision Details	By	Date

TREE PLOT AND
 CAST IN SITU CONCRETE KERB WITH
 EXPOSED AGGREGATE FINISH
 INSTALLATION DETAILS

ENGINEERING SERVICES BRANCH

Approved By		Drawing Number	1P 50517
Principal Engineer Infrastructure	Manager Engineering Services	Revision	A
Date Feb, 2014	Date Feb, 2014	Docs	