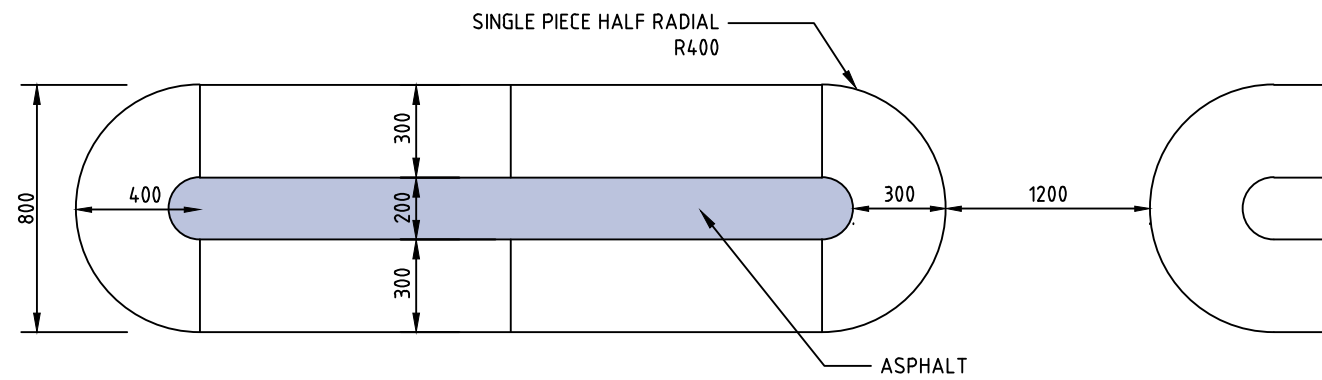


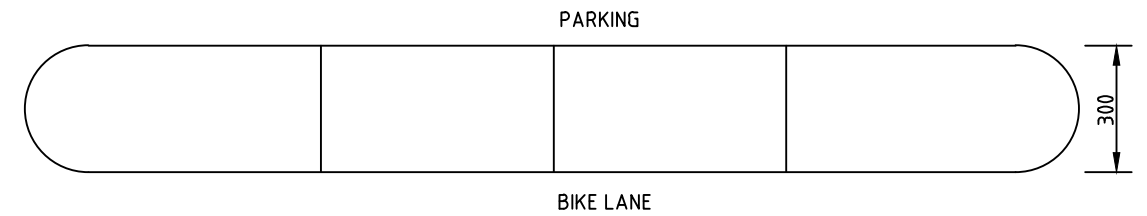
800mm WIDE SEPARATOR ISLANDS

300mm WIDE SEPARATOR KERBS

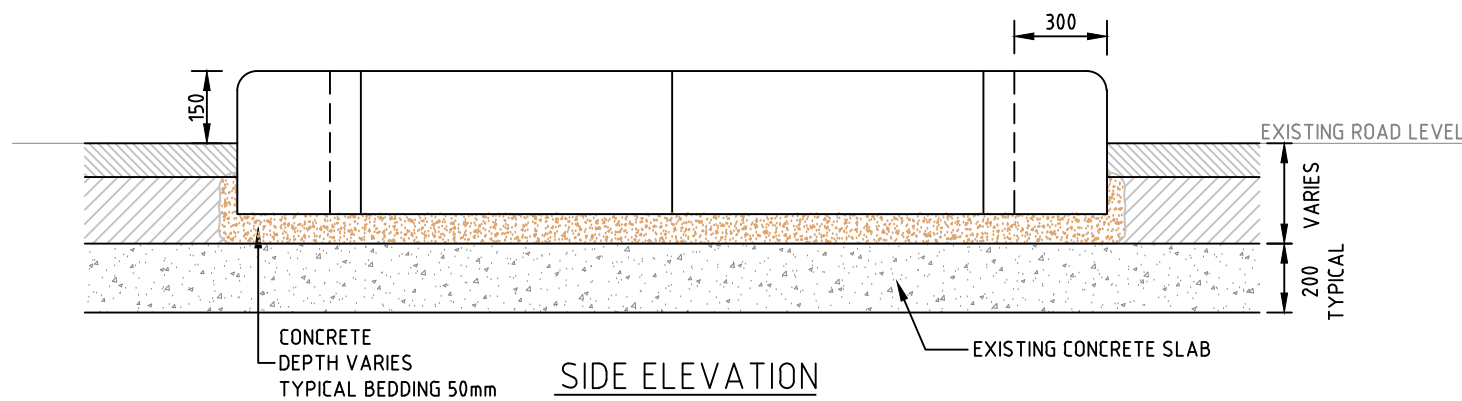


10-12 METRES LENGTH WITH GAPS BETWEEN ISLANDS
ALIGNED WITH ENDS OF PARKING BAYS

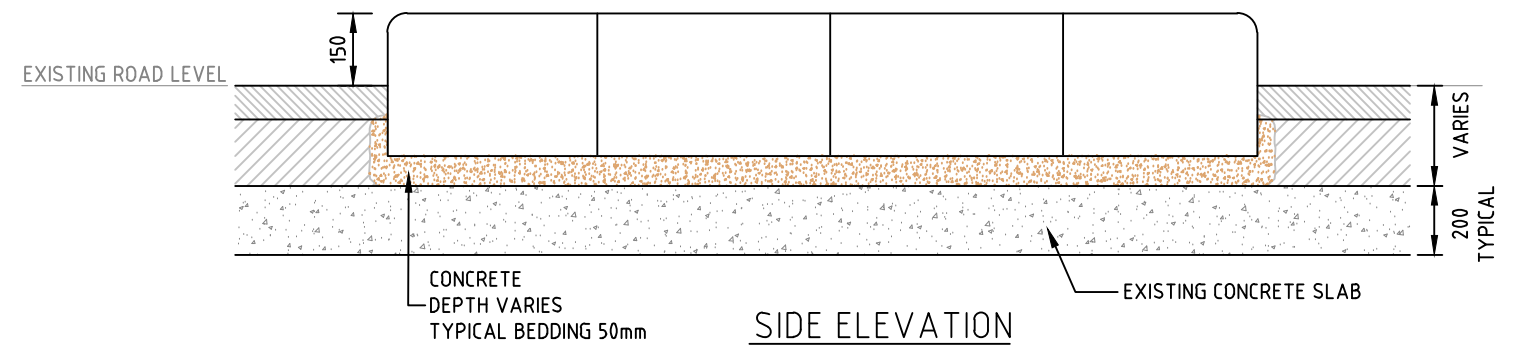
TYPICAL INSTALLATION



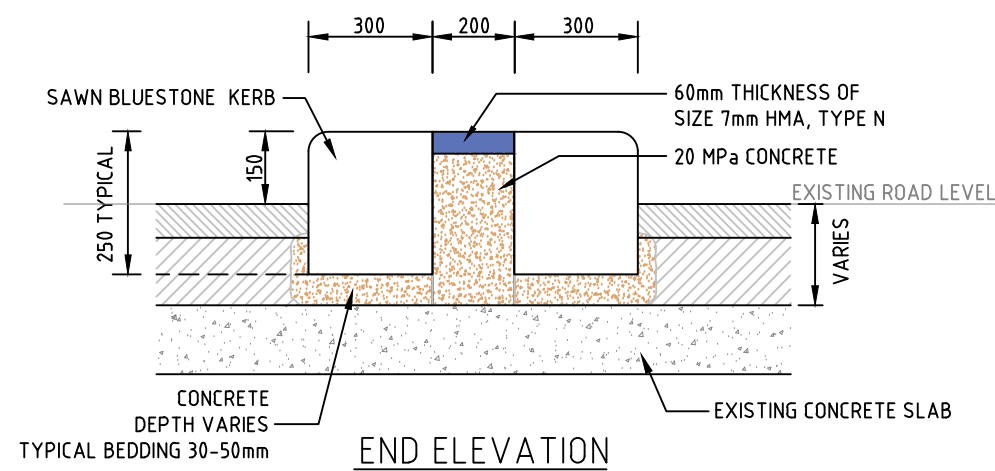
TYPICAL INSTALLATION



SIDE ELEVATION



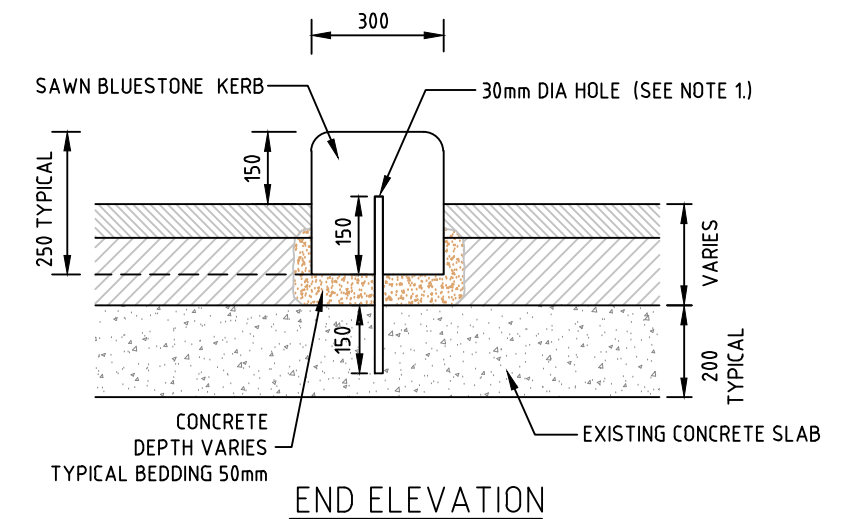
SIDE ELEVATION



END ELEVATION

NOTE:

1. INSTALL 300-350mm LONG, N24 DEFORMED DOWEL BAR AT 500mm SPACING, (2 PER BLOCK) 150mm INTO EPOXIED, PRE-MANUFACTURED, 30mm DIAMETER HOLE AND EXISTING CONCRETE SLAB.
2. ALL DIMENSIONS ARE IN MILLIMETRES.



END ELEVATION

NOT TO SCALE



Rev.	Revision Details	By	Date

TYPICAL SECTIONS BICYCLE SEPARATOR ISLANDS BLUESTONE KERB ON CONCRETE SLAB

ENGINEERING SERVICES BRANCH

Approved By		Drawing Number	
Principal Engineer Infrastructure		1P 50521	
Date		Revision	
Nov, 2019		A	
Date		Docs	
Nov, 2019			