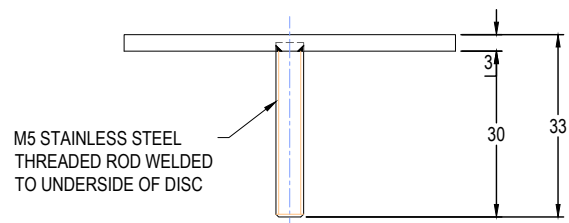
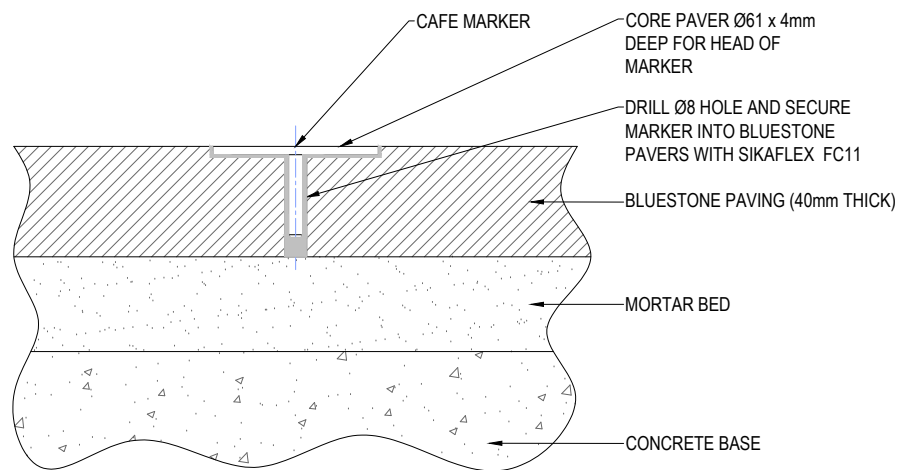


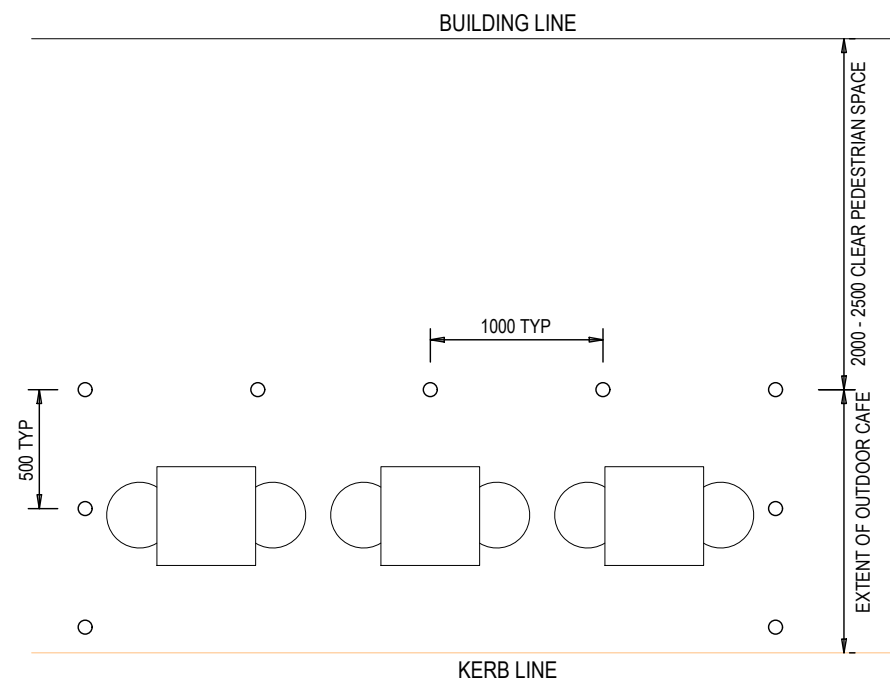
FRONT ELEVATION
CAFE STREET MARKER (1 : 1)



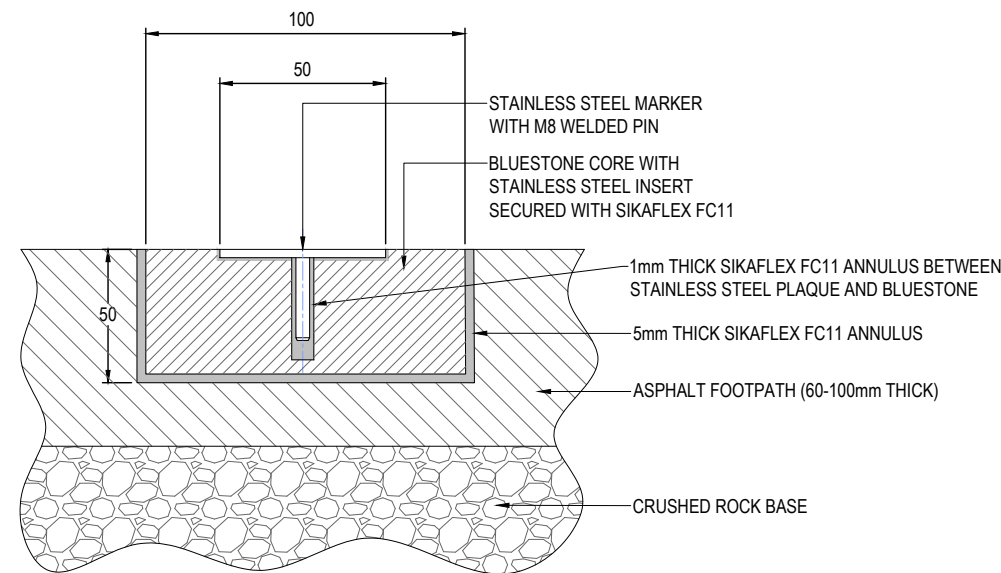
SIDE ELEVATION



SIDE ELEVATION
INSTALLATION DETAILS
BLUESTONE FOOTPATH



PLAN VIEW
MARKER LAYOUT BLUESTONE AND ASPHALT FOOTPATHS



SIDE ELEVATION
INSTALLATION DETAILS
ASPHALT FOOTPATH

NOT TO SCALE



CITY OF MELBOURNE

Rev.	Revision Details	By	Date

**CAFE MARKER
INSTALLATION DETAILS**

ENGINEERING SERVICES BRANCH

<i>Approved By</i>		<i>Drawing Number</i>	
Principal Engineer Infrastructure		1P 50522	
<i>Date</i>		<i>Revision</i>	
Jul, 2019		A	
<i>Manager Engineering Services</i>		<i>Docs</i>	
Date Jul, 2019			